

A soldier in full tactical gear, including a helmet and a Beretta rifle, is shown in a combat-ready stance. The soldier is wearing a light-colored tactical shirt and a dark vest. The rifle is a Beretta ARX160, featuring a red dot sight and a magazine. The soldier's hands are wearing black gloves with the Beretta logo. The background is a concrete wall with a bright light source on the right, creating a dramatic, high-contrast scene.

 BERETTA

**DEFENSE & LAW ENFORCEMENT
PRODUCTS**

BDT
BERETTA DEFENSE TECHNOLOGIES



**DEFENSE & LAW ENFORCEMENT
PRODUCTS**





Fabbrica d'Armi Pietro Beretta

Founded in 1526 and based in Gardone Valtrompia, Italy. Time proven and operationally tested, the centuries have passed and simply underlined Beretta as one of the premium names in the Defense and Law Enforcement segments. Manufacturing the widest range of small firearms in the world from the most state-of-the-art facilities in the industry, the oldest firearms factory and one of the most successful has been passed down through 15 generations of the Beretta family and now exports weapons to over 100 countries.

Beretta's firearms have been adopted as the standard weapon by many armed forces, elite units and law enforcement agencies worldwide. Believed by many to be the greatest pistols ever made, Beretta pistols have redefined the standard for operational reliability. The combination of high tech modern materials and ergonomics have led Beretta to be amongst top players in providing Military and Law Enforcement.





Beretta Defense Technologies

Beretta Defense Technologies is the strategic alliance of four Beretta Holding companies - Beretta, Benelli, Sako and Steiner - that supply services and products to Military and Law Enforcement operators around the world. These companies are globally renowned for decades of expertise and leadership in their respective fields, state of the art machinery and extensive R&D capabilities. Together, they offer one of the most complete offerings in the industry: including various services, firearms, ammunition, optics and electro-optics as well as tactical clothing.

Vision & Mission

We believe the individual Law Enforcement Officer or Soldier is the ultimate system: integrating training, knowledge, and technology to successfully perform his mission. Our mission is to provide him with the solutions needed to improve lethality, survivability, mobility, situational awareness, sustainability, training, and overall mission success, current and future. Through the BOT alliance, Beretta, Benelli, Sako and Steiner propose integrated solutions combining their expertise, and develop integrable solutions that will interface with third-party solutions where needed.



BDT



Table of Contents

1 Pistols 008

APX	APX Full Size	011
	APX Full Size RDO	011
	APX Full Size Combat	011
	APX Full Size Tactical	011
	APX Centurion	012
	APX Centurion RDO	012
	APX Centurion Combat	012
	APX Centurion Tactical	012
	APX Compact	015
	APX Compact RDO	015
	APX Compact Combat	015
	APX Compact Tactical	015
	APX A1	APX A1 Full Size
APX A1 Full Size Combat		017
APX A1 Carry		017
Px4	Px4 Full Size	021
	Px4 Compact	021
	Px4 SubCompact	021
92	92FS	025
	92A1	025
92X	92X Full Size	027
	92X Full Size RDO	027
	92X Centurion	027
	92X Compact	029
	92X Compact RDO	029
M9	M9A3	031
	M9A4 Full Size	031
	M9A4 Centurion	031

2 Submachine Guns 032

PMX	PMX	034
MX4	MX4	036

3 Rifles 038

Assault Rifle	ARX160 A4	040
Combat Rifle	ARX200	042
Designated Marksman Rifle	ARX200 DMR	044

4 Grenade Launchers 046

GLX 160	GLX160 A3	048
---------	-----------	-----

5 Shotguns 050

1301 Tactical	1301 Tactical	052
---------------	---------------	-----

Extra

i-Protect	54
Contact us	56

Pistols







APX

Product: The Beretta APX striker-fired semiautomatic pistol, utilizing a removable internal stainless steel chassis, can be easily modified with replaceable grip frame housing and is simple to disassemble and maintain. The extremely low profile, snag-free, design of the APX makes it easy to carry and draw from the holster. To accommodate right or left-handed use, the magazine release button can be easily reversed while the hold-open lever is present on both sides of the gun. Furthermore, to enhance the pistol ergonomics, the APX is fitted with quickly interchangeable backstraps of different thicknesses to accommodate most users' grip.

APX Full Size



Product: APX Full Size dimension are mainly intended for professional service use. It combines 17 rounds capacity magazine, perfect hands fit and a snag proof profile. Hardly tested in any environmental condition, being NATO qualified, APX Full Size was developed to meet professional customers need.

Colors: Frame can be required in different colors such as Black, Wolf Grey, Flat Dark Earth and Olive Drab Green

Notes: APX Full Size features firing pin block safety, trigger safety and out of battery safety as standard. Can be also required with a top slide mount Loaded Chamber Indicator and external thumb safety options.

APX Full Size RDO



Product: APX Full Size RDO features a red dot ready slide which allows operators to mount the main commercially available red dots thanks to the interface adapters developed by Beretta and already included in the box.

Colors: Frame can be required in different colors such as Black, Wolf Grey, Flat Dark Earth and Olive Drab Green

Notes: APX Full Size RDO features firing pin block safety, trigger safety and out of battery safety as standard. Can be also required with external thumb safety option.

APX Full Size Combat



Product: APX Full Size Combat features a red dot ready slide which allows operators to mount the main commercially available red dots thanks to the interface adapters developed by Beretta and already included in the box. Additionally comes with a threaded barrel available in M13,5x1mm or 1/2"-28 UNEF thread to install sound suppressors.

Colors: Frame can be required in different colors such as Black, Wolf Grey, Flat Dark Earth and Olive Drab Green

Notes: APX Full Size Combat features firing pin block safety, trigger safety and out of battery safety as standard. Can be also required with external thumb safety option. With APX Full Size Combat and RDO can be requested with suppressor height sights, which are also suitable for Red Dot co-witness.

APX Full Size Tactical



Product: APX Full Size Tactical slide features a special Flat Dark Earth coating with Beretta AquaTech Shield technology. Frame comes Flat Dark Earth as well so that to complete the desert look of the pistol. Further than the different color APX Full Size Tactical ensure the same proven performance and reliability of APX Full Size.

Colors: Flat Dark Earth

Notes: APX Full Size Tactical features firing pin block safety, trigger safety and out of battery safety as standard. Can be also required with a top slide mounted Loaded Chamber Indicator and external thumb safety options.

Model	APX Full Size
Caliber	9x19, .40 S&W
Action Type	Striker
Frame Type	Polymer
Overall Length (mm)	192
Height (mm)	142
Width (mm)	33
Barrel Length (mm)	108
Weight (g)	800
Sight Radius (mm)	160
Magazine (rds)	17, 15, 10
Threaded Barrel	-
Red dot Ready	-
Picatinny Rail	Yes, 3 slots

Model	APX Full Size RDO
Caliber	9x19, .40 S&W
Action Type	Striker
Frame Type	Polymer
Overall Length (mm)	192
Height (mm)	142
Width (mm)	33
Barrel Length (mm)	108
Weight (g)	820
Sight Radius (mm)	160
Magazine (rds)	17, 15, 10
Threaded Barrel	-
Red dot Ready	Yes
Picatinny Rail	Yes, 3 slots

Model	APX Full Size Combat
Caliber	9x19, .40 S&W
Action Type	Striker
Frame Type	Polymer
Overall Length (mm)	208
Height (mm)	142
Width (mm)	33
Barrel Length (mm)	121
Weight (g)	820
Sight Radius (mm)	160
Magazine (rds)	17, 15, 10
Threaded Barrel	Yes
Red dot Ready	Yes
Picatinny Rail	Yes, 3 slots

Model	APX Full Size Tactical
Caliber	9x19, .40 S&W
Action Type	Striker
Frame Type	Polymer
Overall Length (mm)	192
Height (mm)	142
Width (mm)	33
Barrel Length (mm)	108
Weight (g)	800
Sight Radius (mm)	160
Magazine (rds)	17, 15, 10
Threaded Barrel	-
Red dot Ready	-
Picatinny Rail	Yes, 3 slots

APX Centurion



Product: The Beretta APX Centurion pistol is sized between the APX Full Size and the APX Compact and combines high magazine capacity with restricted dimension. APX Centurion was designed to perform all the duties but also to be concealable when necessary. Inheriting all functional and performance features, APX Centurion features a Compact slide-barrel group installed on a 15 round magazine capacity grip frame.

Colors: Frame can be required in different colors such as Black, Wolf Grey, Flat Dark Earth and Olive Drab Green.

Notes: APX Centurion features firing pin block safety, trigger safety and out of battery safety as standard. Can be also required with a top slide mounted Loaded Chamber Indicator.

Model	APX Centurion
Caliber	9x19, .40 S&W
Action Type	Striker
Frame Type	Polymer
Overall Length (mm)	177
Height (mm)	132
Width (mm)	33
Barrel Length (mm)	94
Weight (g)	765
Sight Radius (mm)	145
Magazine (rds)	15, 10
Threaded Barrel	-
Red dot Ready	-
Picatinny Rail	Yes, 2 slots

APX Centurion RDO



Product: APX Centurion RDO features a red dot ready slide which allows operators to mount the main commercially available red dots thanks to the interface adapters developed by Beretta and already included in the box.

Colors: Frame can be required in different colors such as Black, Wolf Grey, Flat Dark Earth and Olive Drab Green

Notes: APX Centurion RDO features firing pin block safety, trigger safety and out of battery safety as standard.

Model	APX Centurion RDO
Caliber	9x19, .40 S&W
Action Type	Striker
Frame Type	Polymer
Overall Length (mm)	177
Height (mm)	132
Width (mm)	33
Barrel Length (mm)	94
Weight (g)	780
Sight Radius (mm)	145
Magazine (rds)	15, 10
Threaded Barrel	-
Red dot Ready	Yes
Picatinny Rail	Yes, 2 slots

APX Centurion Combat



Product: APX Centurion Combat features a red dot ready slide which allows operators to mount the main commercially available red dots thanks to the interface adapters developed by Beretta and already included in the box. Additionally comes with a threaded barrel available in M13,5x1mm or 1/2"-28 UNEF thread to install sound suppressors.

Colors: LFrame can be required in different colors such as Black, Wolf Grey, Flat Dark Earth and Olive Drab Green

Notes: APX Centurion Combat features firing pin block safety, trigger safety and out of battery safety as standard. With APX Centurion Combat and RDO can be requested with suppressor height sights, which are also suitable for Red Dot co-witness.

Model	APX Centurion Combat
Caliber	9x19, .40 S&W
Action Type	Striker
Frame Type	Polymer
Overall Length (mm)	190
Height (mm)	132
Width (mm)	33
Barrel Length (mm)	107
Weight (g)	780
Sight Radius (mm)	145
Magazine (rds)	15, 10
Threaded Barrel	Yes
Red dot Ready	Yes
Picatinny Rail	Yes, 2 slots

APX Centurion Tactical



Product: APX Centurion Tactical slide features a special Flat Dark Earth coating with Beretta AquaTech Shield technology. Frame comes Flat Dark Earth as well so that to complete the desert look of the pistol. Further than the different color APX Centurion Tactical ensure the same proven performance and reliability of APX Centurion.

Colors: Flat Dark Earth

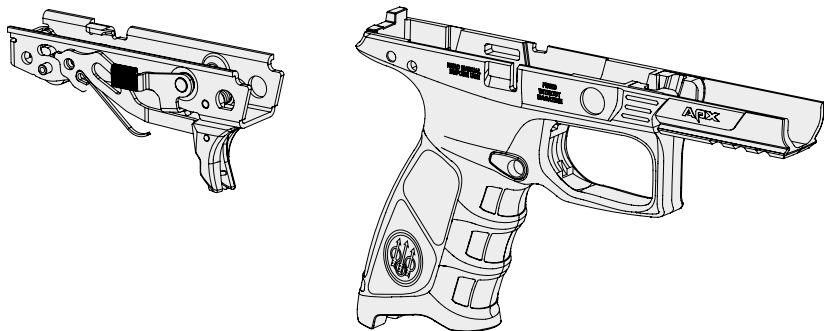
Notes: APX Centurion Tactical features firing pin block safety, trigger safety and out of battery safety as standard. Can be also required with a top slide mounted Loaded Chamber Indicator.

Model	APX Centurion Tactical
Caliber	9x19, .40 S&W
Action Type	Striker
Frame Type	Polymer
Overall Length (mm)	177
Height (mm)	132
Width (mm)	33
Barrel Length (mm)	94
Weight (g)	765
Sight Radius (mm)	145
Magazine (rds)	15, 10
Threaded Barrel	-
Red dot Ready	-
Picatinny Rail	Yes, 2 slots

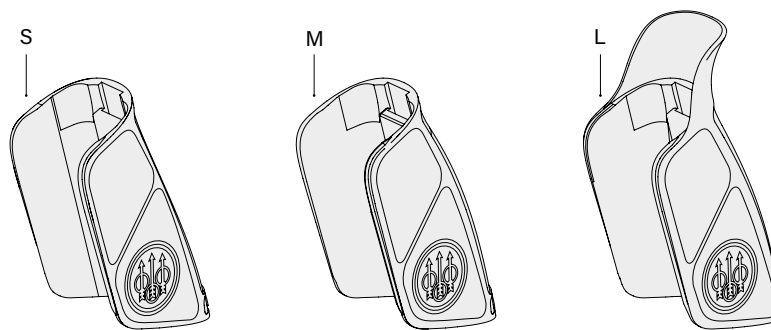
APX



Serialized chassis with interchangeable grip frame available in different colors and configuration



3 ergonomic and modular backstrap included





APX Compact



Product: APX Compact extend the APX series concealed carry friendly size. Despite of the dimensions, APX Compact is really controllable and comfortable to shoot. It features a Compact slide-barrel group installed to a Compact frame able to host a 13 rounds double stack magazine.

Colors: Frame can be required in different colors such as Black, Wolf Grey, Flat Dark Earth and Olive Drab Green.

Notes: APX Compact features firing pin block safety, trigger safety and out of battery safety as standard. Can be also required with a top slide mounted Loaded Chamber Indicator.

APX Compact RDO



Product: APX Compact RDO features a red dot ready slide which allows operators to mount the main commercially available red dots thanks to the interface adapters developed by Beretta and already included in the box.

Colors: Frame can be required in different colors such as Black, Wolf Grey, Flat Dark Earth and Olive Drab Green

Notes: APX Compact RDO features firing pin block safety, trigger safety and out of battery safety as standard.

APX Compact Combat



Product: APX Compact Combat features a red dot ready slide which allows operators to mount the main commercially available red dots thanks to the interface adapters developed by Beretta and already included in the box. Additionally comes with a threaded barrel available in M13,5x1mm or 1/2"-28 UNEF thread to install sound suppressors.

Colors: Frame can be required in different colors such as Black, Wolf Grey, Flat Dark Earth and Olive Drab Green

Notes: APX Compact Combat features firing pin block safety, trigger safety and out of battery safety as standard. With APX Centurion Combat and RDO can be requested with suppressor height sights, which are also suitable for Red Dot co-witness.

APX Compact Tactical



Product: APX Compact Tactical slide features a special Flat Dark Earth coating with Beretta AquaTech Shield technology. Frame comes Flat Dark Earth as well so that to complete the desert look of the pistol. Further than the different color APX Compact Tactical ensure the same proven performance and reliability of APX Compact.

Colors: Flat Dark Earth

Notes: APX Centurion Tactical features firing pin block safety, trigger safety and out of battery safety as standard. Can be also required with a top slide mounted Loaded Chamber Indicator.

Model	APX Compact
Caliber	9X19, .40 S&W
Action Type	Striker
Frame Type	Polymer
Overall Length (mm)	177
Height (mm)	122
Width (mm)	33
Barrel Length (mm)	94
Weight (g)	750
Sight Radius (mm)	145
Magazine (rds)	13, 10
Threaded Barrel	-
Red dot Ready	-
Picatinny Rail	Yes, 2 slots

Model	APX Compact RDO
Caliber	9x19, .40 S&W
Action Type	Striker
Frame Type	Polymer
Overall Length (mm)	177
Height (mm)	122
Width (mm)	33
Barrel Length (mm)	94
Weight (g)	750
Sight Radius (mm)	145
Magazine (rds)	13, 10
Threaded Barrel	-
Red dot Ready	Yes
Picatinny Rail	Yes, 2 slots

Model	APX Compact Combat
Caliber	9X19
Action Type	Striker
Frame Type	Polymer
Overall Length (mm)	190
Height (mm)	122
Width (mm)	33
Barrel Length (mm)	107
Weight (g)	765
Sight Radius (mm)	145
Magazine (rds)	13, 10
Threaded Barrel	Yes
Red dot Ready	Yes
Picatinny Rail	Yes, 2 slots

Model	APX Compact Tactical
Caliber	9X19, .40 S&W
Action Type	Striker
Frame Type	Polymer
Overall Length (mm)	177
Height (mm)	122
Width (mm)	33
Barrel Length (mm)	94
Weight (g)	750
Sight Radius (mm)	145
Magazine (rds)	13, 10
Threaded Barrel	-
Red dot Ready	-
Picatinny Rail	Yes, 2 slots



APX^{A1}

Product: The APX A1 takes the proven ergonomics and reliability of the APX family to the next level with integrated features derived from feedback from military, law enforcement, and tactical shooters. It aims for the highest levels in performance, safety, and quality to operate for any shooter in the field. APX A1 features a red dot optic ready slide with new aggressive serration, an ergonomic grip with ambidextrous controls and maintains the modularity architecture of APX family.

APX A1 Full Size



Product: Beretta APX A1 takes the proven ergonomics, reliability, and accuracy of the APX family and delivers a superior firing solution to the most demanding professionals in the world. A crisp trigger features a light pull, clean break, and a short reset for fast target engagements. The red dot optic-ready slide lets you easily install a wide range of optics.

Colors: Frame can be required in different colors such as Black, Wolf Grey, Flat Dark Earth and Olive Drab Green.

Notes: Aggressive slide serrations let you rack, and press check even in extreme conditions. The modular frame comes with three integrated backstraps so it can contour to the hands of any shooter in minutes for a better feel and control thanks to the great recoil management.

Model	APX A1 Full Size
Caliber	9x19
Action Type	Striker
Frame Type	Polymer
Overall Length (mm)	192
Height (mm)	142
Width (mm)	33
Barrel Length (mm)	108
Weight (g)	820
Sight Radius (mm)	160
Magazine (rds)	17, 15, 10
Threaded Barrel	-
Red dot Ready	Yes
Picatinny Rail	Yes, 3 slots

APX A1 Full Size Combat



Product: Beretta APX A1 Combat comes with a threaded barrel available in 1/2"-28 UNEF thread to install sound suppressors. APX A1 Full Size Combat features firing pin block safety, trigger safety and out of battery safety as standard. Can be also required with external thumb safety option. APX A1 Full Size Combat can be requested with suppressor height sights, which are also suitable for Red Dot co-witness.

Colors: Frame can be required in different colors such as Black, Wolf Grey, Flat Dark Earth and Olive Drab Green.

Notes: Aggressive slide serrations let you rack, and press check even in extreme conditions. The modular frame comes with three integrated backstraps so it can contour to the hands of any shooter in minutes for a better feel and control thanks to the great recoil management.

Model	APX A1 Full Size Combat
Caliber	9x19, .40 S&W
Action Type	Striker
Frame Type	Polymer
Overall Length (mm)	208
Height (mm)	142
Width (mm)	33
Barrel Length (mm)	121
Weight (g)	830
Sight Radius (mm)	160
Magazine (rds)	17, 15, 10
Threaded Barrel	Yes
Red dot Ready	Yes
Picatinny Rail	Yes, 3 slots

APX A1 Carry



Product: Beretta APX A1 Carry is the most suitable APX family model for concealment carry and backup pistol. It features a single stack magazine able to host 6 or 8 rounds and the overall width is under 1 inch. The slide comes red dot ready as the whole APX A1 series.

Colors: Frame can be required in different colors such as Black, Wolf Grey, Flat Dark Earth and Olive Drab Green.

Notes: APX A1 Carry features front and rear aggressive slide serrations that improve racking, an extended stippling on both sides of frame for a deep and firm grip all over the pistol.

Model	APX A1 Carry
Caliber	9X19
Action Type	Striker
Frame Type	Polymer
Overall Length (mm)	143
Height (mm)	106
Width (mm)	23
Barrel Length (mm)	78
Weight (g)	562
Sight Radius (mm)	125
Magazine (rds)	6+1, 8+1
Threaded Barrel	-
Red dot Ready	Yes
Picatinny Rail	No

APXA1







Px4 Storm

Product: The NATO-certified Beretta Px4 Storm single / double action semiauto capitalized experience in engineering pistols for military and law enforcement. Absolute durability, reliability, ergonomics and interchangeability of parts have made it the choice of military and police professionals around the world. Its ease of use, safety of operation and sleek lines are also causing it to be a favorite for self- and home defense as well as for concealed carry. Available in a number of powerful calibers, the PX4 Storm is a handgun that will keep delivering premium Beretta performance even after years of hard use.

PX4 Full Size



Product: Developed in three calibers, Px4 Full Size feature a locked breech with a rotating barrel system that make one of the strongest pistols. The light-weighted yet durable frame and the modular structure make the Px4 Full Size the ideal firearm for law enforcement operators.

Colors: Black, Inox, Flat Dark Earth

Notes: Available in Type F (single double action with external slide safety), Type G (single double action with external safety lever with decocking only function), Type D (double action only without external safety lever) and Type C (constant action without external safety levers), the versatility of Px4 allows to meet any customer needs.

Model	Px4 Full Size
Caliber	9x19, .40 S&W, .45 ACP
Action Type	SA/DA
Frame Type	Polymer
Overall Length (mm)	192
Height (mm)	140
Width (mm)	36
Barrel Length (mm)	102
Weight (g)	785
Sight Radius (mm)	146
Magazine (rds)	17
Threaded Barrel	-
Red dot Ready	-
Picatinny Rail	Yes, 1 slot

PX4 Compact



Product: Px4 Compact pistol is sized between the Full Size and the compact model but with a shorter and proportioned slide and grip. Compact Model, as well as the Full Size features an interchangeable backstraps system and introduce an ambidextrous slide stop lever on request.

Colors: Black, Inox.

Notes: Despite the small dimensions a 15 rounds magazine is maintained. Px4 Compact offers intuitive controls and a safe mechanism that enable operator to confidently carry it all day. Furthermore, it is easy to use and take apart for cleaning and maintenance.

Model	Px4 Compact
Caliber	9x19, .40 S&W
Action Type	SA/DA
Frame Type	Polymer
Overall Length (mm)	173
Height (mm)	129
Width (mm)	36
Barrel Length (mm)	86
Weight (g)	770
Sight Radius (mm)	131
Magazine (rds)	15
Threaded Barrel	-
Red dot Ready	-
Picatinny Rail	Yes, 1 slot

PX4 SubCompact



Product: The Beretta PX4 Storm SubCompact is designed to give full-size shootability and durability in a concealable package. Px4 SubCompact does not sacrifice any of the features of its larger counterpart, while offering superior concealability and light weight.

Colors: Black

Notes: With the included interchangeable backstraps, the Px4 Storm SubCompact is easy and quick to adapt to different hand sizes (for instance, male or female) and grip styles. A built-in Picatinny rail further adds to its flexibility, making it possible to attach a variety of tactical accessories.

Model	Px4 SubCompact
Caliber	9X19, .40 S&W
Action Type	SA/DA
Frame Type	Polymer
Overall Length (mm)	158
Height (mm)	122
Width (mm)	36
Barrel Length (mm)	76
Weight (g)	740
Sight Radius (mm)	122
Magazine (rds)	13
Threaded Barrel	-
Red dot Ready	-
Picatinny Rail	Yes, 1 slot



90

Product: The Beretta 90 series family consist of a semi-automatic pistols primarily designed for military and police use. Due to excellent performance in competitive testings, 90 Series Family pistols are the choice of Military and Police Forces. The well-known features of flawless reliability, complete handling safety, great fire capacity and high accuracy has been maintained and proposed over many years. The tilting block locking system and the barrel short recoil operation are a warranty of long-life ans shooting accuracy. The single double action the automatic firing pin safety and the manual safety with decocking function allows operator to comfortably perform all the duties, even under pressure.





92FS 92A1

Product: The Beretta 90 Series of pistols boasts an impressive pedigree. It is the result of decades of technological development and improvements dating back to the beginning of the 20th century. Over one hundred years of experience and research have enhanced the early open-slide design of the Model 1915 and each new iteration, all the way to the modern-era M9A4, have improved upon this venerable platform.

92 FS



Product: Own one of the most extensively tested and duty-proven handgun designs in the world. The Beretta 92FS Semi-Auto Pistol features a durable Bruniton non-reflective black finish for superior corrosion resistance. 92FS utilizes a short recoil, delayed blowback system for enhanced control, in a single / double action.

Colors: Black, INOX

Notes: 92FS features 15 rounds capacity magazines, extendable to 17, ambidextrous slide mounted safety levers with decocking function and a firing pin block safety.

92 A1



Product: The base design of the 92A1 is the 92FS or M9, the pistol that has served the US military admirably throughout its campaigns in the world's toughest environments. This pistol incorporates an innovative internal frame buffer that greatly reduces component stress under firing making it even more durable and smooth-shooting.

Colors: Black

Notes: Beretta 92A1 features a chrome-lined barrel with a deeply recessed combat muzzle crown and a corrosion- and wear-resistant Bruniton nonreflective black finish. The pistol is designed with a removable front sight, a Mil-STD accessory rail and captive recoil spring assembly. 92A1 features 17 rounds capacity magazines, ambidextrous slide mounted safety levers with decocking function and a firing pin block safety.

Model	92 FS
Caliber	9X19, .40 S&W
Action Type	SA/DA
Frame Type	Aluminum
Overall Length (mm)	217
Height (mm)	137
Width (mm)	38
Barrel Length (mm)	125
Weight (g)	945
Sight Radius (mm)	155
Magazine (rds)	15
Threaded Barrel	-
Red dot Ready	-
Picatinny Rail	No

Model	92 A1
Caliber	9X19, .40 S&W
Action Type	SA/DA
Frame Type	Aluminum
Overall Length (mm)	217
Height (mm)	137
Width (mm)	38
Barrel Length (mm)	125
Weight (g)	945
Sight Radius (mm)	155
Magazine (rds)	17
Threaded Barrel	Available
Red dot Ready	-
Picatinny Rail	Yes, 2 slots



92X

Product: The 92X Full Size take the proven reliability of the venerable 90 series Family to the next level. Incorporating new universal ergonomic features such as a standard straight backstrap profile frame with new flat and wraparound highly textured grips included to fit the majority of shooters needs out of the box. These features, combined with Combat Sights, enhanced fire control, and an extended magazine release result in an uncompromising pistol that aims for top performance ideal for competitive dynamic shooting and/or defensive purposes. The new 92X, the evolution of the 90 series family.

92X Full Size



Product: 92X Full Size was designed to deliver the performance that modern shooters demand, from the Vertec style thin grips and traditional style wraparounds, to the universal slide design, from a beveled magazine well that enhances and speeds up mag changes to the oversized magazine-release, from a 3-slot built-in light rail to a dovetailed front sight enabling easy configuration at the end user level to a preferred sight picture and style.

Colors: Black

Notes: 92X Full Size features range from the universal slide design, which is convertible from a safety-decocker to a decocker only configuration, to the standard Vertec style straight backstrap, from the oversized magazine release button to the combat sights.

Model	92X Full Size
Caliber	9X19
Action Type	SA/DA
Frame Type	Aluminum
Overall Length (mm)	211
Height (mm)	137
Width (mm)	38
Barrel Length (mm)	119
Weight (g)	945
Sight Radius (mm)	155
Magazine (rds)	17, 10
Threaded Barrel	-
Red dot Ready	-
Picatinny Rail	Yes, 3 slots

92X Full Size RDO



Product: The 92X Full Size take the proven reliability of the venerable M9 Family to the next level. Incorporating new universal ergonomic features such as a standard straight backstrap profile frame with new flat and wraparound highly textured grips included to fit the majority of shooters needs out of the box.

Colors: Black

Notes: 92X Full Size RDO comes with a red dot ready slide, combat sights enhanced fire control, and an extended magazine release result in an uncompromising pistol that aims for top performance.

Model	92X Full Size RDO
Caliber	9X19
Action Type	SA/DA
Frame Type	Aluminum
Overall Length (mm)	211
Height (mm)	137
Width (mm)	38
Barrel Length (mm)	119
Weight (g)	945
Sight Radius (mm)	155
Magazine (rds)	17, 10
Threaded Barrel	-
Red dot Ready	Yes
Picatinny Rail	Yes, 3 slots

92X Centurion



Product: The Beretta 92X Centurion pistol is sized between the Full Size and the Compact models. It retains all the features of the full-size pistol, but with a shorter and proportioned slide and frame. The 92x Centurion utilizing the reliable mechanism of the venerable 90 series family is an accurate and reliable double/single action pistol.

Colors: Black

Notes: features range from the universal slide design, which is convertible from a safety-decocker to a decocker only configuration, to the standard Vertec style straight backstrap, from the oversized magazine release button to the combat sights.

Model	92X Centurion
Caliber	9X19
Action Type	SA/DA
Frame Type	Aluminum
Overall Length (mm)	197
Height (mm)	137
Width (mm)	38
Barrel Length (mm)	108
Weight (g)	810
Sight Radius (mm)	146
Magazine (rds)	17, 10
Threaded Barrel	-
Red dot Ready	-
Picatinny Rail	Yes, 3 slots



92X Compact



Product: The Beretta 92X Compact pistol extends the 92X family to a concealed carry-friendly size. The 92x Compact utilizing the reliable mechanism of the venerable 90 series family is an accurate and reliable single double action pistol.

Colors: Black

Notes: 92X Compact features range from the universal slide design, which is convertible from a safety-decocker to a decocker only configuration, to the standard Vertec style straight backstrap, from the oversized magazine release button to the removable sights.

Model	92X COMPACT
Caliber	9X19
Action Type	SA/DA
Frame Type	Aluminum
Overall Length (mm)	197
Height (mm)	133
Width (mm)	38
Barrel Length (mm)	108
Weight (g)	770
Sight Radius (mm)	146
Magazine (rds)	13, 10
Threaded Barrel	-
Red dot Ready	-
Picatinny Rail	Available, 3 slots

92X Compact RDO



Product: 92X Compact RDO pistol continues the evolution of an iconic series within the 92X family and delivers the unmatched performance modern shooters demand. The Compact version delivers also features more oriented to concealment carry activities thanks to the shorter frame and barrel if compared to the Full Size model.

Colors: Black

Notes: 92X Full Size RDO comes with a red dot ready slide, combat sights enhanced fire control, and an extended magazine release result in an uncompromising pistol that aims for top performance.

Model	92X COMPACT RDO
Caliber	9X19
Action Type	SA/DA
Frame Type	Aluminum
Overall Length (mm)	197
Height (mm)	133
Width (mm)	38
Barrel Length (mm)	108
Weight (g)	900
Sight Radius (mm)	146
Magazine (rds)	13, 10
Threaded Barrel	-
Red dot Ready	Yes
Picatinny Rail	Available, 3 slots



M9

Product: With the M9A3 semiauto pistol, Beretta has created a coming-together of all the tactical and functional features that today's combat professionals may require. From Vertec-style thin grip to universal slide design convertible from safety-decocker to decocker-only, from a beveled magazine well to oversize mag-release button, from a 3-slot built-in Picatinny rail to high-capacity capability for maximum firepower, the M9A3 was designed to deliver the performance that military, law-enforcement and VIP-protection professionals demand. In short, this combat pistol was designed to be perfect for duty carry in any condition, any tactical use, including home - and personal defense.

M9 A3



Product: The Beretta M9A3 is a single double action pistol with external slide mounted safety available in both F & G type (safety and decocking & decocking only function). M9A3 version was designed to update the Beretta M9 series that served as the standard issue sidearm for the military for the last few decades. It maintains the same family feeling with 92FS but introduces additional features that make it unique.

Colors: Black, Flat Dark Earth

Notes: M9A3 comes with 17 rounds magazine PVD coated to withstand to dust and sand, a vertical grip 3 tritium dot sights system and threaded barrel. Type F and Type G model are available.

Model	M9A3
Caliber	9X19
Action Type	SA/DA
Frame Type	Aluminum
Overall Length (mm)	222
Height (mm)	143
Width (mm)	38
Barrel Length (mm)	130
Weight (g)	945
Sight Radius (mm)	160
Magazine (rds)	17, 10
Threaded Barrel	Yes
Red dot Ready	-
Picatinny Rail	Yes, 3 Slots

M9 A4 Full Size



Product: The Beretta M9A4 pistol features the proven design of the M9 series with new modern features that include a red-dot optic ready slide, a beveled magazine well, and an aggressively textured 92X-style thin grips for instinctive control and a more natural fit for all shooters.

Colors: Flat Dark Earth

Notes: M9A4 slide features front and rear serration which improves racking in all weather conditions, the barrel is threaded to allow operator mounting sound suppressor, and the frame comes aggressively textured to ensure a firm grip.

Model	M9A4 Full Size
Caliber	9X19
Action Type	SA/DA
Frame Type	Aluminum
Overall Length (mm)	222
Height (mm)	143
Width (mm)	38
Barrel Length (mm)	130
Weight (g)	945
Sight Radius (mm)	160
Magazine (rds)	18, 10
Threaded Barrel	Yes
Red dot Ready	Yes
Picatinny Rail	Yes, 3 slots

M9 A4 Centurion



Product: The Beretta M9A4 Centurion is a further evolution of the venerable 90 series family. This single double action semiautomatic pistol has the ability to easily mount a Red Dot Optic on a recess milled on top of the slide. The M9A4 Centurion retains all the feature of the Beretta M9A4 in a more concealable size.

Colors: Flat Dark Earth

Notes: M9A4 slide features front and rear serration which improves racking in all weather conditions, the barrel is threaded to allow operator mounting sound suppressor, and the frame comes aggressively textured to ensure a firm grip.

Model	M9A4 Centurion
Caliber	9X19
Action Type	SA/DA
Frame Type	Aluminum
Overall Length (mm)	210
Height (mm)	143
Width (mm)	38
Barrel Length (mm)	120
Weight (g)	900
Sight Radius (mm)	160
Magazine (rds)	18, 10
Threaded Barrel	Yes
Red dot Ready	Yes
Picatinny Rail	Yes, 3 slots

Submachine Guns







PMX

Product: Beretta PMX Submachine gun is developed specifically for the demanding needs of Law Enforcement and Military users around the world. Reliability, accuracy and safety were the main guidelines when it was developed the PMX project. The extensive use of polymer materials and light alloy metals allowed the design of a compact, lightweight yet rugged design one which is versatile and easy to deploy in combat. The major components, barrel and bolt, are machined from a special high strength steel, specifically designed to withstand the rigors of harsh environments and abusive conditions.

PMX



Product: The PMX uses a blowback action and fires from closed bolt. It feeds from a 30 round magazine and has a right-side folding stock. Beretta PMX has ambidextrous controls including the fire selector, reversible cocking handle and features a full length Picatinny top rail and 3 additional shorter rails at 3, 6 and 9 o'clock.

Colors: Black, Wolf Grey, Flat Dark Earth and Olive Drab Green

Notes: Firing mode can be selected from safety (trigger locked), single shot and full automatic. PMX features a right-side folding stock and up to 7 attachment point sling spread all over the submachinegun. PMX is also NATO qualified and can perform in all environments and adverse conditions. The extensive use of polymer makes the PMX easily shootable and light weighted.

Model	PMX
Caliber	9x19
Locking system	Blowback
Barrel Length (inches)	6,8
Barrel Lengths (mm)	175
Firing modes	Semiauto / Full Auto
Length / collapsed stock (mm)	NA
Length / extended stock (mm)	640
Length / folded stock (mm)	418
Height / with magazine & folded sight (mm)	270
Weight / with empty magazine (g)	2.500
Magazine capacity	30-20-15
Magazine material	Polimer



MX4 Storm

Product: The MX4 submachine gun is a defense and law Enforcement firearm ideal for professional use by Police Forces and special troops. Snag free rounded forms facilitate handling, shouldering and aiming; MX4 is indicated for use in narrow and space-limited places and is designed to allow an extremely quick and simple field stripping.

MX4



Product: The blowback type locking system and the bolt safety ensure reliability, great stability and precision in follow up shots. Beretta MX4 has a quickly removable, high-capacity magazine which allows rapid reloading and extended use in emergency situations.

Colors: Black, Flat Dark Earth

Notes: The extractor, the ejector and the cocking handle are easily reversible for right and left hand use. The manual safety button and the magazine release button can also be reversed from one side of the submachine gun to the other.

Model	MX4
Caliber	9x19
Locking system	Blowback
Barrel Length (inches)	12
Barrel Lengths (mm)	312
Firing modes	Semiauto / Full Auto
Length / collapsed stock (mm)	NA
Length / extended stock (mm)	647
Length / folded stock (mm)	NA
Height / with magazine & folded sight (mm)	262
Weight / with empty magazine (g)	2.480
Magazine capacity	30-15
Magazine material	Metal

Rifles







Product: The Beretta ARX160 assault rifle has improved efficiency in the field by innovative engineering geared specifically toward the soldier. The ARX160 modular platform features fully ambidextrous controls and a pin-free design.

ARX160 A4



Product: The automatic rifle ARX 160 consists of a rifle and a 30 rounds magazine cal. 5.56 x 45 mm NATO. The rifle may be configured with barrel lengths of 11, 14 and 16 inches, respectively; ARX 160 features a quick-change barrel, so that to be removed and installed in a few seconds without tools. It is a gas-operated, locked breech rotating bolt weapon, that can be fired either in burst or single shots.

Colors: Black, Flat dark Earth

Notes: ARX 160 A4 features a selective right-left hand ejection, reversible cocking handle, ambidextrous controls, telescopic and foldable stock and adjustable flip-up iron sights.

Model	ARX 160-A4	ARX 160-A4
Caliber	5,56x45 NATO	7,62x39
Locking system	Multi-lugs, rotating bolt	Multi-lugs, rotating bolt
Barrel Length (inches)	11-14-16	16
Barrel Lengths (mm)	280/350/406	406
Firing modes	Semiauto / Full Auto	Semiauto / Full Auto
Length / collapsed stock (mm)	720/790/840	840
Length / extended stock (mm)	786/850/900	900
Length / folded stock (mm)	560/630/680	680
Height / with magazine & folded sight (mm)	280	296
Weight / with empty magazine (g)	~ 3,410- 3,600	3,500
Magazine capacity	30	30
Magazine material	Metal	Metal



ARX200

Product: The Beretta ARX200 features fully ambidextrous controls (bolt catch lever, magazine release button, fire selector) and is equipped with a telescopic/foldable stock as well as a complete set of rails on all sides of the weapon. The design of the gun components has been optimized in order to ensure the highest level of accuracy and reliability.

ARX200



Product: The automatic rifle ARX 200 cal. 7.62 x 51 mm NATO is a gas-operated, locked breech rotating bolt weapon, that can be fired either in burst or single shots. The magazine is made of reinforced polymer with capacity of 20 rounds. The rifle may be configured with barrel lengths of 12 and 16 inches, respectively.

Colors: Black

Notes: ARX 200 features a reversible cocking handle, without the use of tools, ambidextrous controls, telescopic and foldable stock, adjustable in four steps for length of pull and three steps for cheekpiece height, five flush cup sling attachments, integrated in the receiver, stock and side picatinny rail, flip-up iron sights adjustable in elevation and windage.

Model	ARX 200
Caliber	7,62x51 NATO
Locking system	Multi-lugs, rotating bolt
Barrel Length (inches)	16
Barrel Lengths (mm)	406
Firing modes	Semiauto / Full Auto
Length / collapsed stock (mm)	880
Length / extended stock (mm)	950
Length / folded stock (mm)	720
Height / with magazine & folded sight (mm)	235
Weight / with empty magazine (g)	4.300
Magazine capacity	20
Magazine material	Polimer /Metal



ARX200 DMR

Product: Beretta ARX200 DMR model (Designated Marksman Rifle) is the SemiAuto only, 20" barrel, high-precision version derived from ARX200 Combat Rifle chambered in 7,62x51mm Nato. ARX200 DMR features a semi-auto only, two stage, trigger group and a 20 rounds magazine: these features, together, allow a higher rates of fire than bolt-action rifles and rapid engagement of multiple targets. ARX200 DMR is designed and manufactured to be effective, in terms of hit rates and terminal ballistics, at ranges exceeding those of ordinary assault rifles.

ARX200 DMR



Product: The automatic rifle ARX 160 consists of a rifle and a 30 rounds magazine cal. 5.56 x 45 mm NATO. The rifle may be configured with barrel lengths of 11, 14 and 16 inches, respectively; ARX 160 features a quick-change barrel, so that to be removed and installed in a few seconds without tools. It is a gas-operated, locked breech rotating bolt weapon, that can be fired either in burst or single shots.

Colors: Black, Flat dark Earth

Notes: ARX 160 A4 features a selective right-left hand ejection, reversible cocking handle, ambidextrous controls, telescopic and foldable stock and adjustable flip-up iron sights.

Model	ARX 200 DMR
Caliber	7,62x51 NATO
Locking system	Multi-lugs, rotating bolt
Barrel Length (inches)	16 - 20
Barrel Lengths (mm)	406 / 508
Firing modes	Semiauto
Length / collapsed stock (mm)	940≈ 1040
Length / extended stock (mm)	1000≈ 1100
Length / folded stock (mm)	720≈ 820
Height / with magazine & folded sight (mm)	≈ 215
Weight / with empty magazine (g)	5000
Magazine capacity	20
Magazine material	polimer /metal

Grenade Launchers







GLX160

Product: The GLX160 is a manually operated, single-shot grenade launcher that fires low velocity 40x46mm ammunition. The GLX160 has been specifically designed to be fully integrated with the ARX160 rifle, furthermore, thanks to its fast mount attachment the grenade launcher can be easily added to any rifle provided with a proper interface. In alternative, GLX 160 can be installed on a stand-alone five-position telescopic stock that can easily be adjusted in length in order to better adapt to the shooter's requirements and measures. The GLX160 uses a slide forward configuration which makes it fully ambidextrous.

GLX160 A3



Product: The Grenade Launcher GLX 160 A3 cal. 40 x 46 mm is a lightweight, single shot, breech loaded, locked breech rotating bolt, double action only weapon which may be shoulder fired only when attached to the ARX 160 rifle or on the stand-alone stock assembly.

Colors: Black

Notes: GLX 160 A3 features a firing selector which foresees safety and firing position. GLX 160 has also a loaded chamber indicator and a safety pin that prevents firing if the is not correctly installed.

Model	GLX 160 A3
Caliber	40x46 LV
Locking system	Locked breech, rotating bolt
Barrel Length (inches)	11
Barrel Lengths (mm)	280
Firing modes	-
Length / collapsed stock (mm)	582
Length / extended stock (mm)	703
Length / folded stock (mm)	NA
Height / with magazine & folded sight (mm)	114
Weight / with empty magazine (g)	1.000
Magazine capacity	NA
Magazine material	NA

Shotguns







1301 TACTICAL

Product: The 1301 Tactical features an oversized charging handle, large textured bolt release and an oversized reversible safety button. The aggressive checkering on the fore-end and stock makes it easy to gain a secure grip even while wearing gloves. The 1301 Tactical features a robust and protected ghosting system which improves the target acquisition time. An interchangeable choke system allows for maximum flexibility based on use and needs.



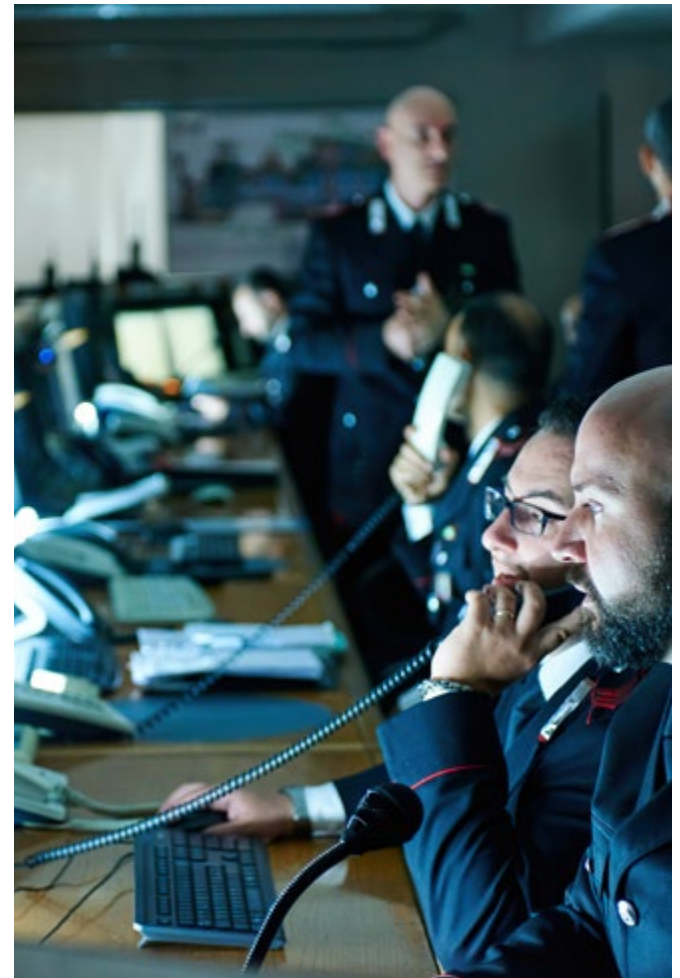
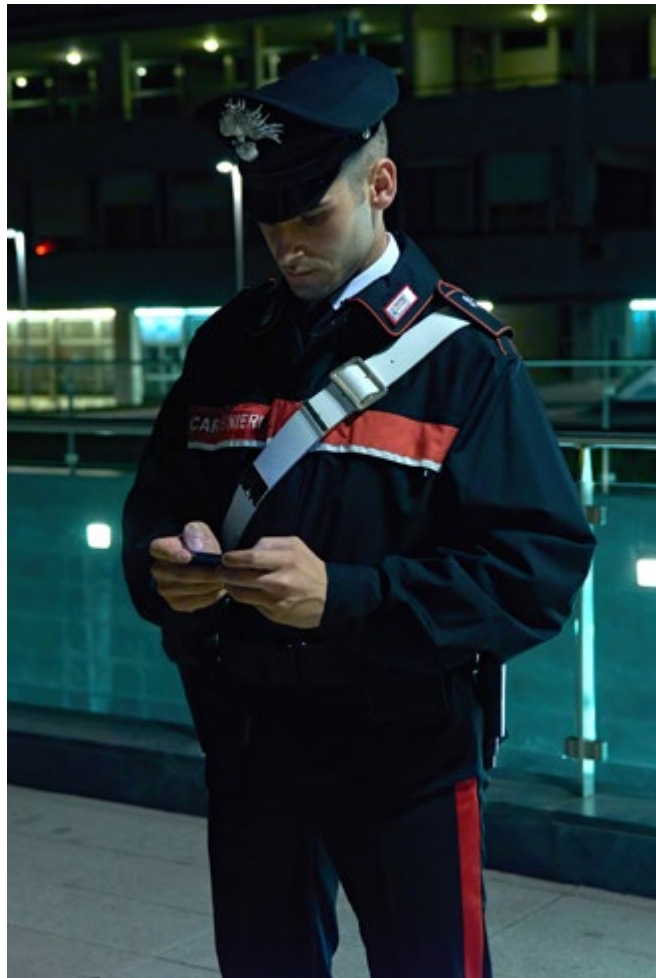
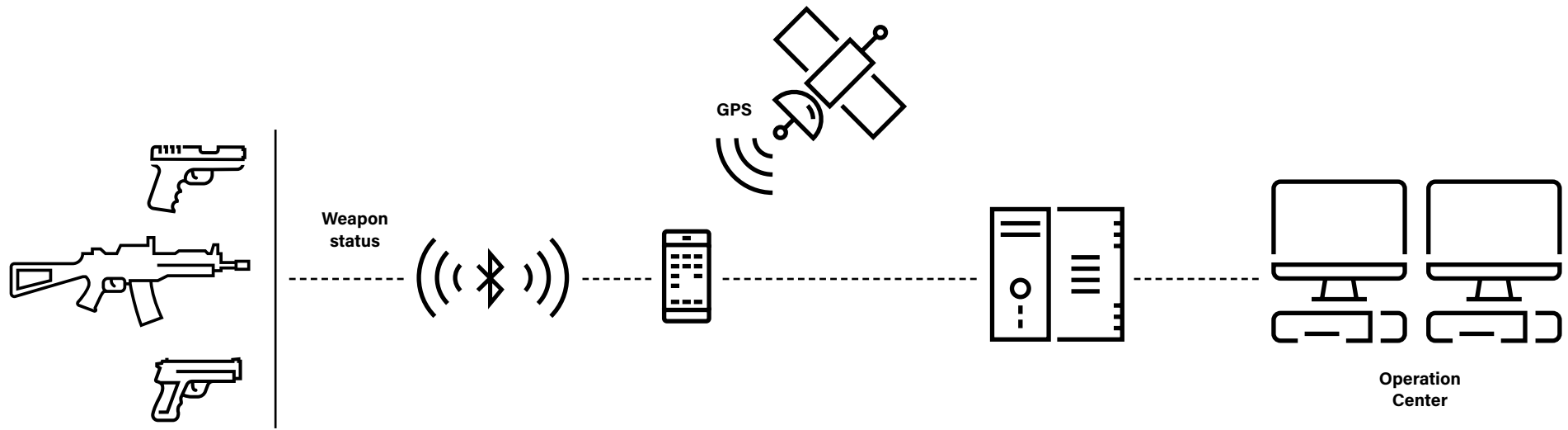
Colors: Black, Flat Dark Earth and Olive Drab Green

Model	1301 TACTICAL
Caliber	12 Gauge
Stock	Fixed
Operating Principle	Gas operated
Threaded Barrel	Yes
Sights System	Ghost ring sights
Frame Material	Fiberglass reinforced polymer
Accessory Rail	MIL-STD-1913
Safeties	Manual safety
Fire Selector Positions	S-1
Reciprocating System	Yes
Ejection Side	Right
Magazine Type	Tube
Length (inches)	37.80
Barrel Length (inches)	18.70



i-PROTECT

From almost 500 years Beretta delivers the best solutions for security operators worldwide. Our mission is to ensure people a better life by enabling police forces to operate safely and I-Protect is our breakthrough solution for the police and Law Enforcement community. When it comes to an emergency you must be fast, accurate and effective: no matter where you are now I-Protect is around you. A network of integrated sensors provides the Operation Center with a real time situation awareness, including operators vital functions and gun status. I-Protect dedicated software records and manages automatic alerts, enhancing the decision making process. The result is an improved safety framework for operators on the field, allowing them to focus on their most important mission: serve and protect. The security of citizens is a priority of every civil society. Thanks to technology we have done a lot, but there is still a lot to do. Beretta I-Protect: a step ahead in public security.





Contact us

ITALY

Via Beretta, 18 - 25063
Gardone Valrompia
(Brescia) Italy
Beretta ITA: +39 030 83411

defense@beretta.com
berettadefense.com

USA

17601 Beretta Drive
Accokeek, Maryland 20607
United States
Beretta USA: +1 800-237-3882

BDT

BERETTA DEFENSE TECHNOLOGIES

 BERETTA

sako



 Benelli

STEINER 

berettadefensetechnologies.com